

Aria Optimum™ Sliding Door Furniture Half Set

ASSA ABLOY

The global leader in
door opening solutions.

Installation Instructions

Application: Provides internal furniture only for sliding door applications using Optimum sliding door lock.

Important Note: This installation requires a rivnut gun.

Tools Required:

- Drill
- 7mm Drill Bit
- 2mm Hex Key
- Rivnut gun

Pack Contents:



Aria Interior Handle

2 x
M5 x 80 Hex Snap-off



2 x
M5 x 12
Grub Screw



2 x
M5 x 60 Hex



2 x Collar



2 x Spacer 2mm



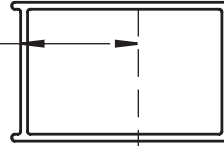
2 x Rivnut

Screw Pack

1. Door Preparation

Route the door as shown in the routing diagram.

30mm Backset Routing is 28.0mm from this face
35mm Backset Routing is 33.0mm from this face
40mm Backset Routing is 38.0mm from this face



Ø 7.0

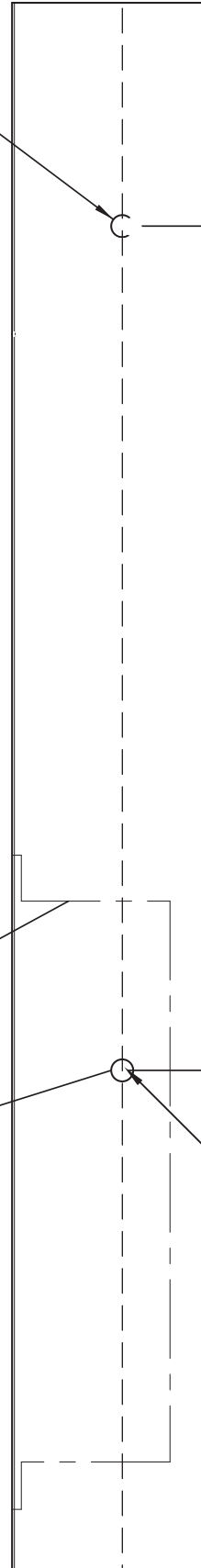
Drill holes through interior face of section only

272

Optimum Sliding Door Lock position (If installing with Optimum Sliding Door Lock)

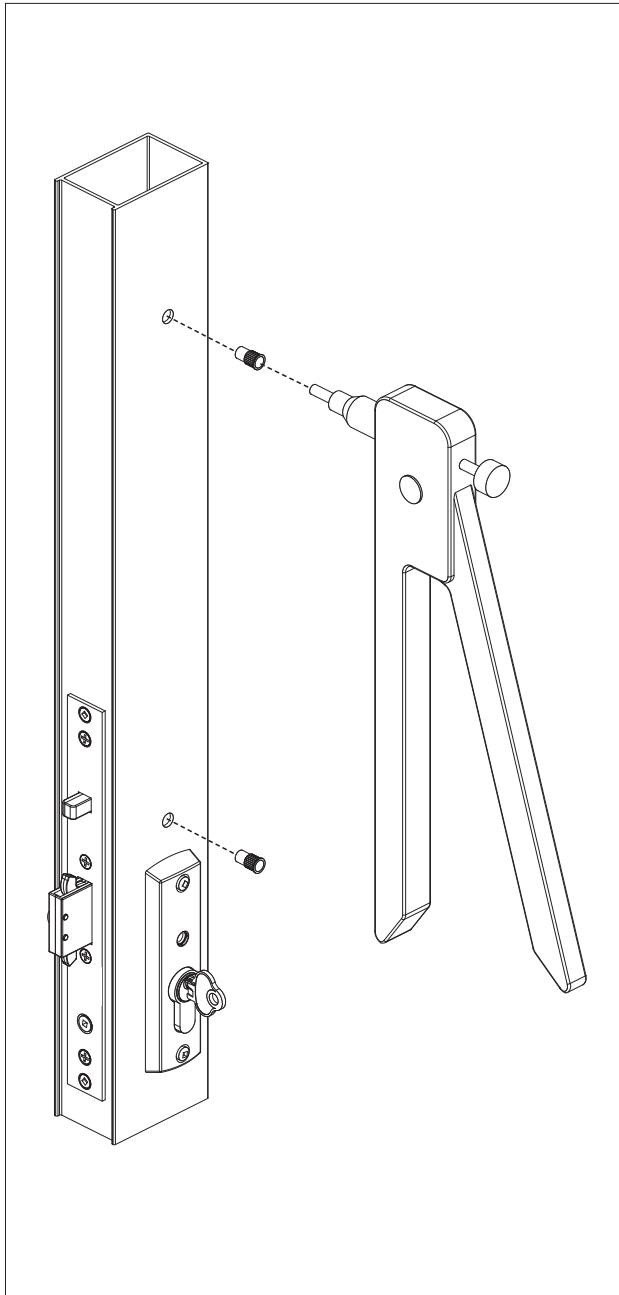
Hole should line up with hole through Optimum SD Lock (Recommended)

Ø 7.0



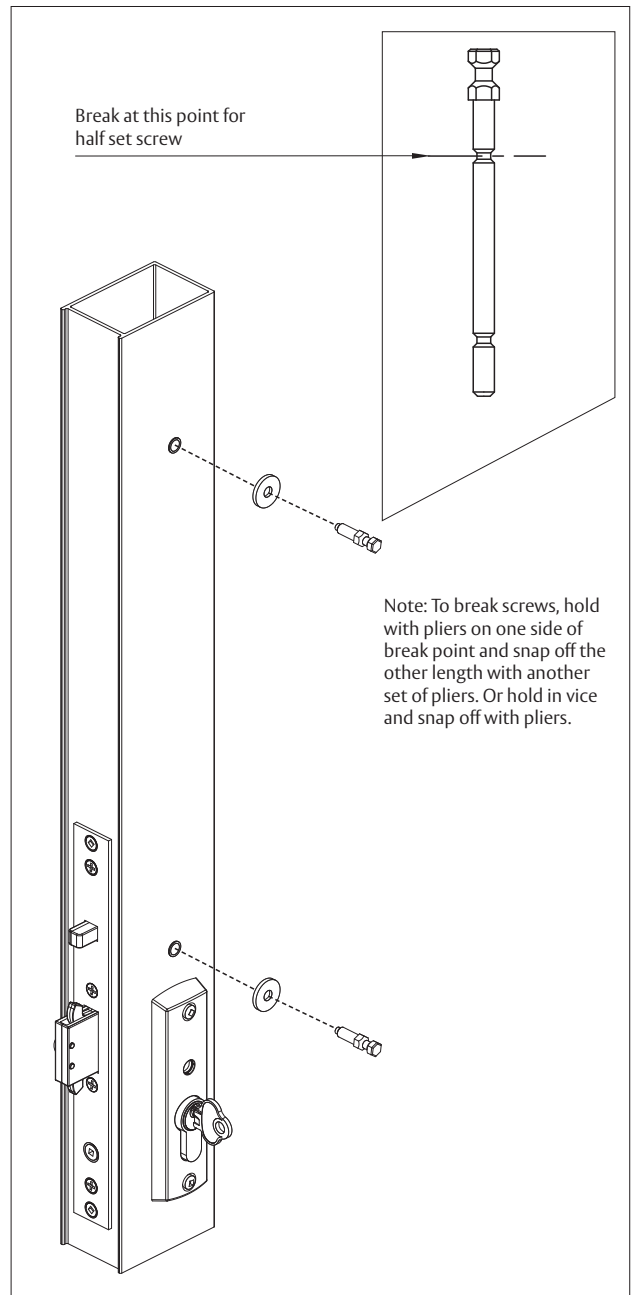
2. Fixing Rivnuts

- Fix rivnuts to stile using rivnut gun



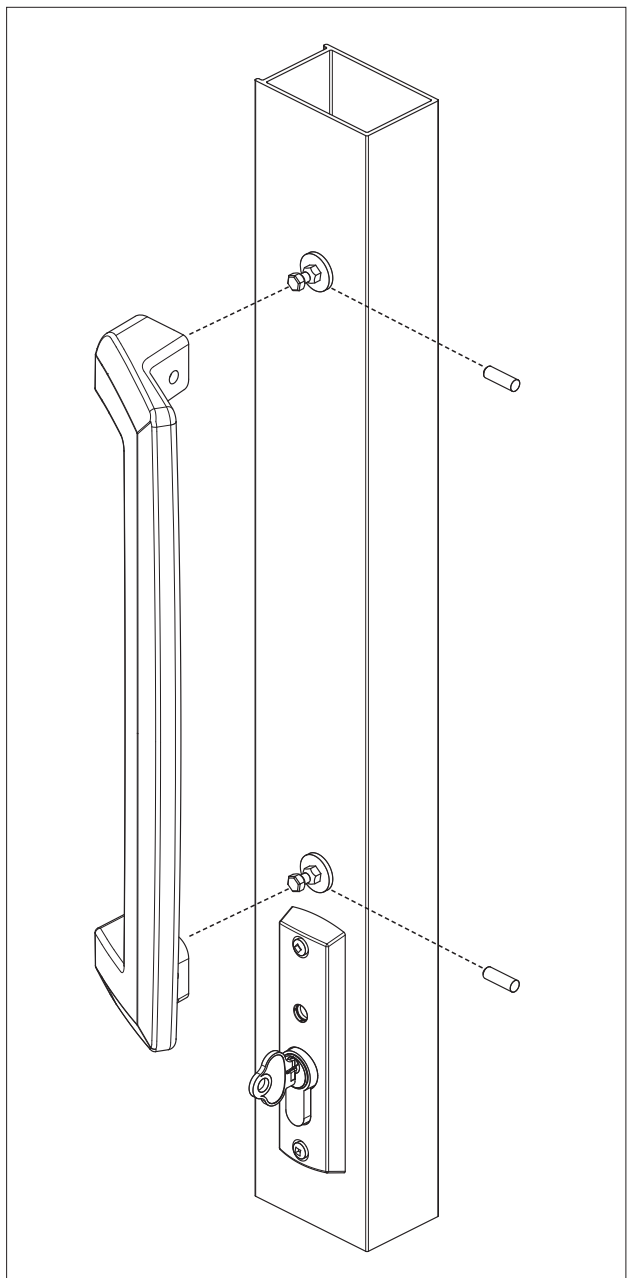
3. Fixing Handle Mounting Screws

- Screw 2x handle fastening half set screws into rivnuts using 2x 2mm spacers as shown. The stepped face of the spacer should face the stile.



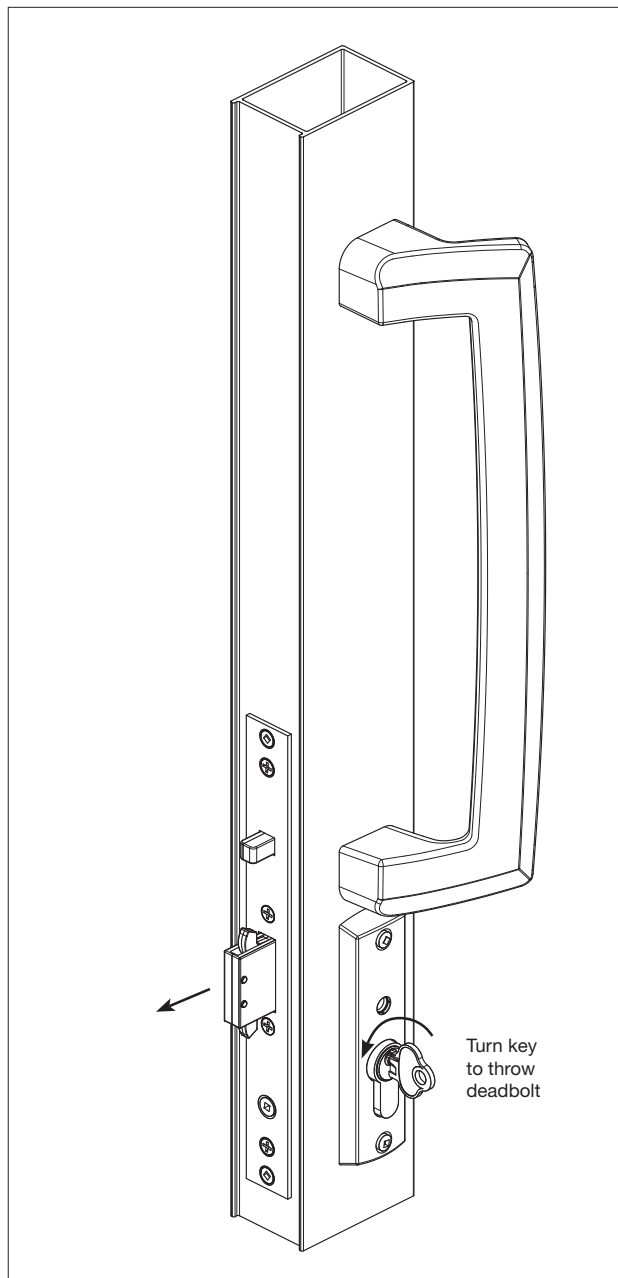
4. Fixing Handle

- Attach interior handle (cross drilled) over screw heads and fix using 2 x grub screws as shown in image below.



5. Complete

- Assembled Handle.
- Image below shows D-Handle being used with Optimum Sliding Door Lock.



WARRANTY

ASSA ABLOY New Zealand Ltd ("ASSA ABLOY") guarantees its products against defects in workmanship and materials.

If within 10 years of purchase a product is found to be defective, ASSA ABLOY will supply the same or equivalent product free of charge.

All electrical and electronic components used in ASSA ABLOY's range of products excluding batteries are guaranteed for a period of 12 months from the date of proof of purchase, unless stated otherwise.

ASSA ABLOY assumes no liability under the guarantee for the following:

1. Improper installation or failure to follow fitting instructions.
2. Failure due to improper maintenance.
3. Fair wear and tear.
4. Indirect or consequential loss or damage.
5. Cost of removal and/or replacement.
6. Cost of freight and/or travelling time.
7. Damage to or deterioration of plated finishes (soft finishes). As deterioration is possible under some environmental conditions, these finishes are excluded from this guarantee.
8. Any modification or repairs to a product, as supplied, unless authorised by ASSA ABLOY.
9. Use of replacement parts other than authorised parts.
10. Malfunction or failure of the product due to the use of non-genuine ASSA ABLOY parts.

Nothing in the ASSA ABLOY New Zealand Limited Warranty excludes, restricts or modifies any condition, warranty, right or liability implied or protected by law where to do so would render the Warranty, or any part of it, void.

10
YEAR
WARRANTY